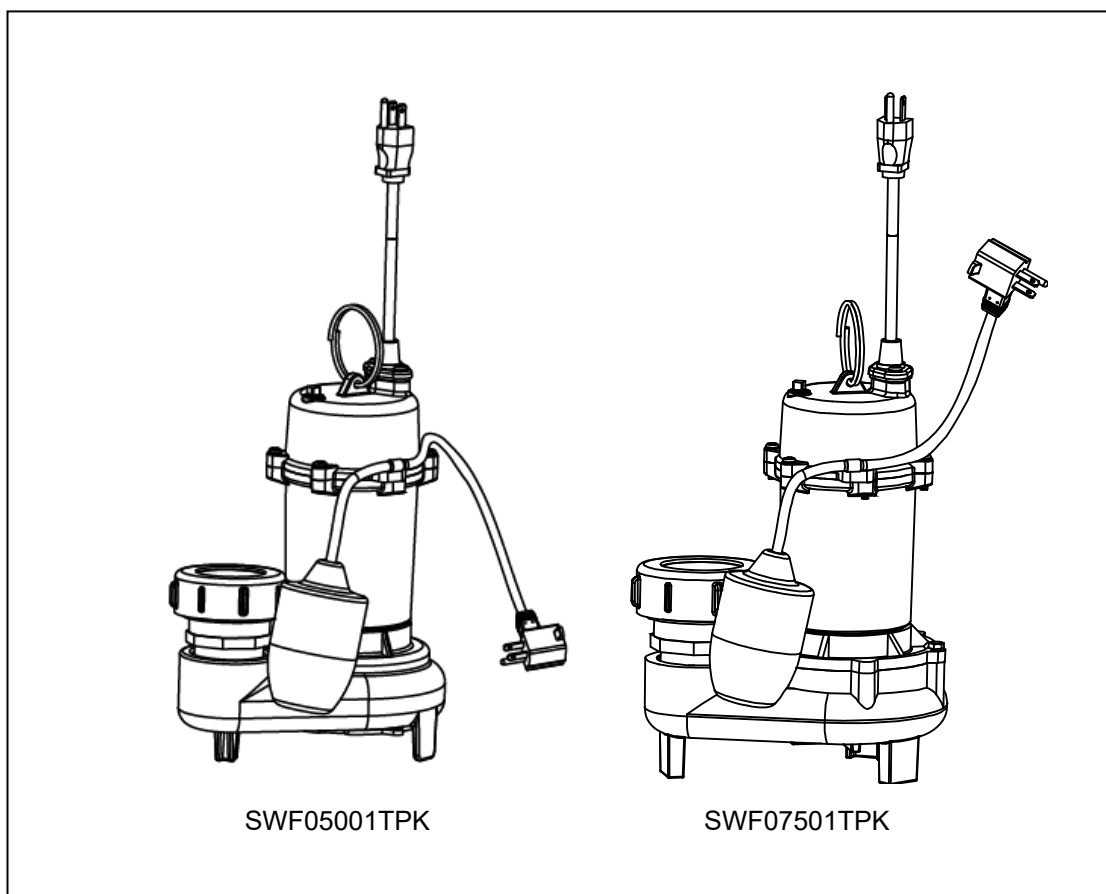




Model: SWF05001TPK  
SWF07501TPK

# OWNER'S MANUAL

## EFFLUENT PUMP WITH TETHER SWITCH



Questions, problems, missing parts? Before returning to the store call

K2 Customer Service 8 a.m. - 6 p.m., EST, Monday-Friday

**1-844-242-2475**

[www.K2pumps.com](http://www.K2pumps.com)

# PERFORMANCE

Model	HP	GPH of Water @ Total Feet of Lift							Max. Lift
		0 ft.	5 ft.	10 ft.	15 ft.	20 ft.	25 ft.	30 ft.	
SWF05001TPK	1/2	4200	3780	3360	2820	2100	1260	0	30 ft.
SWF07501TPK	3/4	4500	3900	3360	2820	2300	1800	1200	40 ft.

# SAFETY INSTRUCTIONS

1. Do not pump flammable or explosive liquids such as oil, gasoline, kerosene, ethanol, etc. Do not use in the presence of flammable or explosive vapors. Using this pump with or near flammable liquids can cause an explosion or fire, resulting in property damage, serious personal injury, and/or death. Do not pump flammable or explosive liquids such as oil, gasoline, kerosene, ethanol, etc. Do not use in the presence of flammable or explosive vapors. Using this pump with or near flammable liquids can cause an explosion or fire, resulting in property damage, serious personal injury, and/or death.
2. ALWAYS disconnect the power to the pump before servicing.
3. Do not touch the motor housing during operation. The motor is designed to operate at high temperatures. Do not disassemble the motor housing.
4. Do not handle the pump or pump motor with wet hands or when standing on a wet or damp surface, or in water before disconnecting the power.
5. Release all pressure and drain all water from the system before servicing any component.
6. Secure the discharge line before starting the pump. An unsecured discharge line will whip, possibly causing personal injury, and/or property damage.
7. Extension cords may not deliver sufficient voltage to the pump motor. Extension cords present a life threatening safety hazard if the insulation becomes damaged or the connection ends fall into water. The use of an extension cord to power this pump is not permitted.
8. Wear safety goggles at all times when working with pumps.
9. This unit is designed only for use on 115 volts (single phase), 60 Hz, and is equipped with an approved 3-conductor cord and 3-prong grounded plug. Do not remove the ground pin under any circumstances. The 3-prong plug must be directly inserted into a properly installed and grounded 3-prong, grounding-type receptacle. Do not use this pump with a 2-prong wall outlet. Replace the 2-prong outlet with a properly grounded 3-prong receptacle (a GFCI outlet) installed in accordance with the National Electrical Code and local codes and ordinances. All wiring should be performed by a qualified electrician.
10. Protect the electrical cord from sharp objects, hot surfaces, oil, and chemicals. Avoid kinking the cord. Do not use damaged or worn cords.
11. Failure to comply with the instruction and designed operation of this unit may void the warranty. ATTEMPTING TO USE A DAMAGED PUMP can result in property damage, serious personal injury, and/or death.
12. Ensure that the electrical circuit to the pump is protected by a 15 Amp fuse or circuit breaker.
13. Do not lift the pump by the power cord.
14. Know the pump and its applications, limitations, and potential hazards.
15. Secure the pump to a solid base. This will aid in keeping the pump in a vertical orientation. This is critical in keeping the pump operating at maximum efficiency. It will also help prevent the pump from clogging resulting in premature failure.

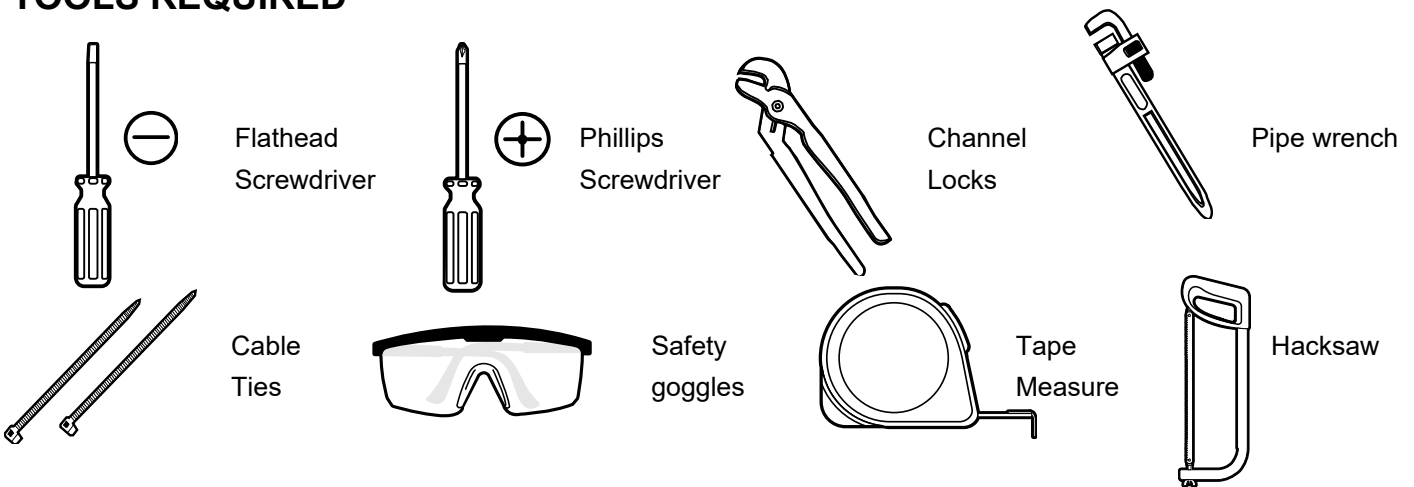
16. Periodically inspect the pump and system components to ensure the pump suction screen is free of mud, sand, and debris. Disconnect the pump from the power supply before inspecting.
17. Follow all local electrical and safety codes, along with the National Electrical Code (NEC). In addition, all Occupational Safety and Health Administration (OSHA) guidelines must be followed.
18. Ensure the electrical power source is adequate for the requirements of the pump.
19. This pump is made of high-strength, corrosion-resistant materials. It will provide trouble-free service for a long time when properly installed, maintained, and used. However, inadequate electrical power to the pump, dirt, or debris may cause the pump to fail. Please carefully read the manual and follow the instructions regarding common pump problems and remedies.
20. The motor of this pump has a thermal protector that will trip if the motor becomes too hot. The protector will reset itself once the motor cools down and an acceptable temperature has been reached. The pump may start unexpectedly if it is plugged in.

# PRE-INSTALLATION

## APPLICATION

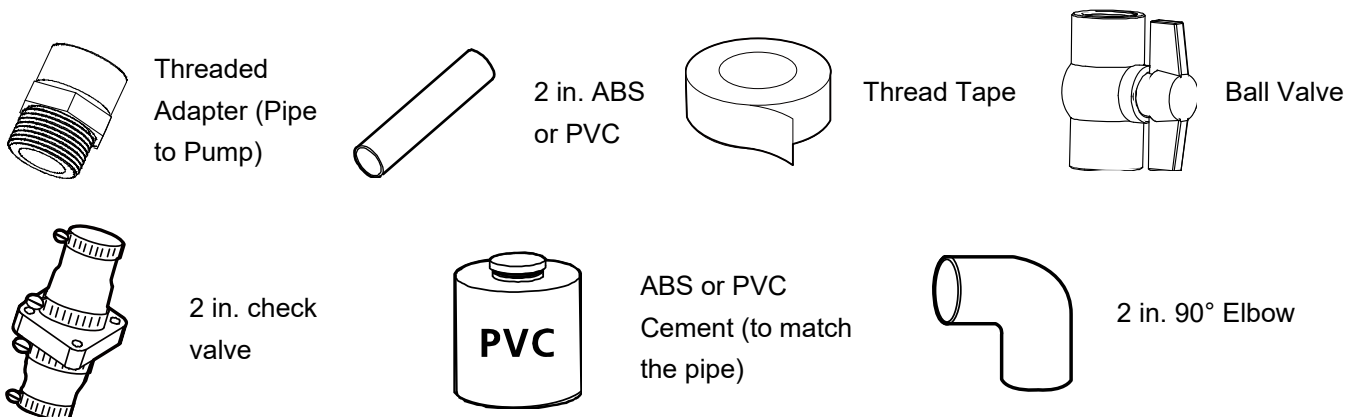
This unit is a submersible effluent pump and designed for pumping effluent, wastewater or flooded water with up to 3/4 in. solids. The pump is built with overload thermal protections and auto reset. The pump is equipped with a 25 ft. 3-prong grounding-type power cord and tethered float switch. This pump operates automatically. Ball bearings on motor shafts never need lubrication.

## TOOLS REQUIRED



## MATERIALS REQUIRED (NOT INCLUDED)

Parts shown below not to scale.



## SPECIFICATIONS

Power supply	115V, 60 HZ., 15 Amp Circuit
Liquid temp. range	32-131°F (0-55°C)
Discharge size	2 in. FNPT
Sump basin	Minimum 18 in. (460 mm) diameter, 30 in. (760 mm) depth
Switch on/off	On: 13.3 in. (338 mm), Off: 5 in. (127 mm)

Read this Owner's Manual for installation, operation, and safety information.

## INSTALLATION

### TYPICAL DEWATERING INSTALLATION (3/4 in. or less Solids)

Install pump on a hard, level surface (cement, asphalt, etc.). Never place pump directly on earth, clay or gravel surfaces.

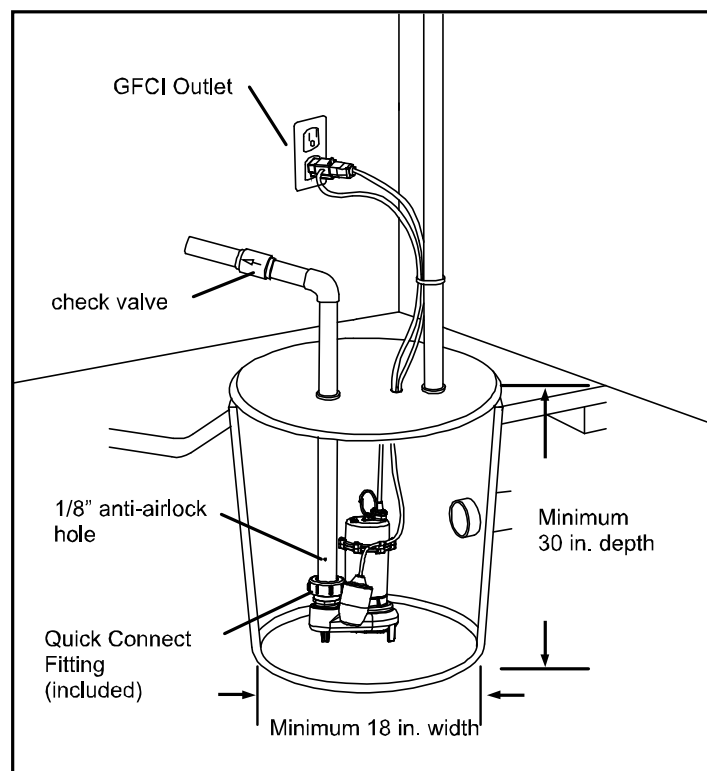
1. Piping must be 1-1/2 in. minimum to carry volume of pump discharge. Check local codes to determine if a check valve is required in your system. In cold climates, check valves are not used to prevent effluent from freezing in piping.

If using as a sump pump, a check valve is recommended.

2. Use a 2 in. (5.1 cm) swing check valve in the pump discharge to prevent backflow of liquid into the sump basin. The check valve should be a free flow valve that will easily pass solids.

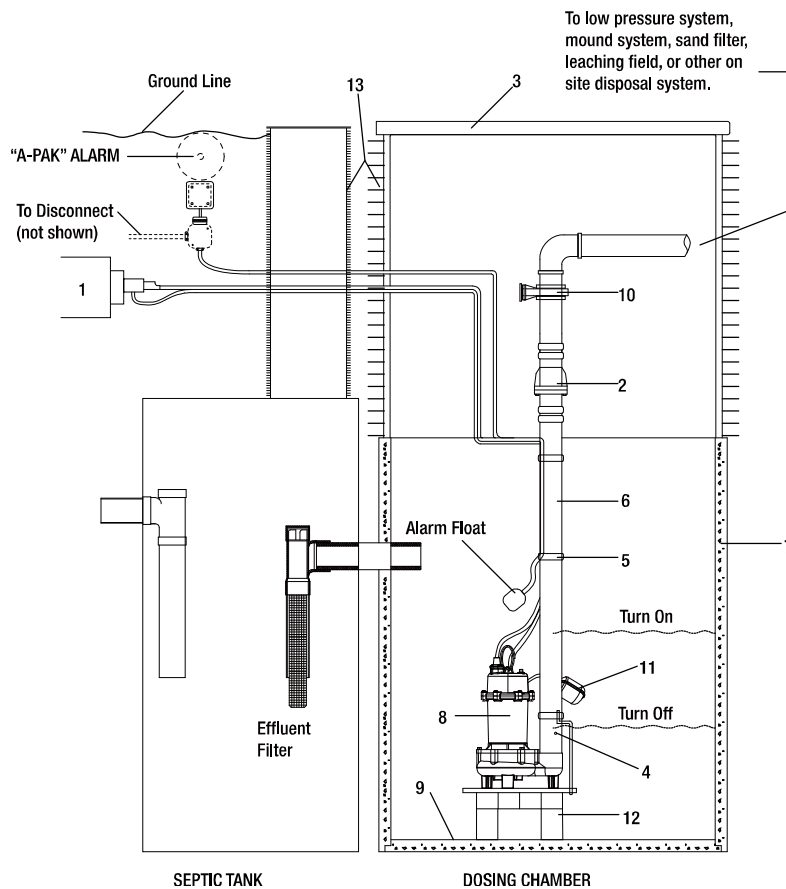
For best performance of the check valve when handling solids, do not install it with the discharge angled more than 45° above the horizontal. Do not install the check valve in a vertical position as solids may settle in the valve and prevent opening on start up.

3. Drill a 1/8" (3.2mm) hole in discharge pipe about 1"-2" (2.5 -5.1cm) above quick connector. The hole must be in the sump.



## TYPICAL EFFLUENT INSTALLATION

1. Electrical wiring and protection must be in accordance with National Electrical Code and any other applicable state and local electrical requirement.
2. Install proper unichek (combination union and check valve), preferably just above the basin to allow easy removal of the pump for cleaning or repair. On effluent, if high head or below cover installation is required use 1-1/2 in. minimum pipe. See (4) below.
3. All installations require a basin cover to prevent debris from falling into the basin and to prevent accidental injury.
4. When a unichek is installed, drill a 1/8" (3.2mm) hole in discharge pipe about 1"-2" (2.5 -5.1cm) above quick connector. The hole must be in the sump. Water stream will be visible from this hole during pump run periods.
5. Securely tape or clamp the power cord to the discharge pipe, clear of the float mechanism(s).
6. Use full-size discharge pipe.
7. The basin must be in accordance with applicable codes and specifications.
8. The pump must be level and float mechanism(s) clear of the sides of the basin before starting the pump.
9. The basin must be clean and free of debris after installation.
10. The installer must supply the gate valve or ball valve and be installed according to any and all codes.
11. Make sure nothing interferes with switch operation. This pump is preassembled with a piggyback tethered float switch, please don't change the preassembled switch location.
12. Install the pump stand under the pump to provide a settling basin.
13. Septic tank risers must be used for easy pump and filter access.
14. Double seal pumps offer extra protection from damage caused by seal failure.



All installations must comply with all applicable electrical and plumbing codes, including, but not limited to, National Electrical Code, local, regional, and/or state plumbing codes, etc. Not intended for use in hazardous locations.

## Electrical

Risk of electric shock. Can shock, burn or kill. When installing, operating, or servicing this pump, follow safety instructions listed below.

1. DO NOT splice the electrical power cord.
2. DO NOT allow the electrical cord plug to be submerged.
3. DO NOT use extension cords. They are a fire hazard and can reduce voltage sufficiently to prevent pumping and/or damage the motor.
4. DO NOT handle or service the pump while it is connected to a power supply.
5. DO NOT remove the grounding prong from the plug or modify the plug to protect against electrical shock. The power cord is a three-wire conductor and includes a 3-prong grounded plug. Plug the pump into a 3-wire, grounded, grounding type receptacle. Connect the pump according to electrical codes that apply.

For automatic operation, plug or wire the pump into an automatic float switch or pump controller. The pump will run continuously when plugged directly into an electrical outlet. Connect or wire the pump to an individual branch circuit with no other outlets or equipment in the circuit.

Size fuses or circuit breakers according to this chart:

### Fuse Data

HP	Voltage	Individual Branch Circuit Required (Amps)
3/4	115	15
1/2	115	15

## OPERATION

Do not handle this pump or plug in or unplug this pump with wet hands or while standing in water, unless you are certain all power has been turned off to the pump. Remember, the pump should be connected only to a properly grounded, GFCI outlet.

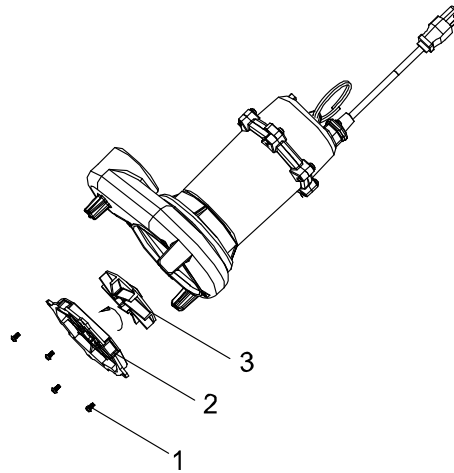
1. Make certain the pump is submerged in water. Running the pump dry can damage the shaft seal.
2. Plug the pump cord into the back of the float switch cord's plug. Plug the float switch cord into a 115V GFCI power outlet.
3. After connecting power to the pump and periodically afterwards, test the pump:
  - a. Fill the basin to above the float switch operation on height. The pump should start pumping.
  - b. The pump should pump the water down to below its Float Switch Operation OFF Height and then stop pumping.
  - c. If the water drains back into the basin and restarts the pump, make sure the check valve is properly installed and working. Also make sure that all pipe connections are tight.
4. The motor is equipped with an automatically resetting thermal overload protector. If the motor gets too hot, the overload protector will shut off the pump before it is damaged. When the motor has cooled sufficiently, the overload protector will reset, and the motor will restart.

If the overload protector stops the pump repeatedly, disconnect the power from the pump and check to find the problem. Low voltage, a long extension cord, clogged impeller, screen blocked by debris, or water that is too hot can cause motor overheating.

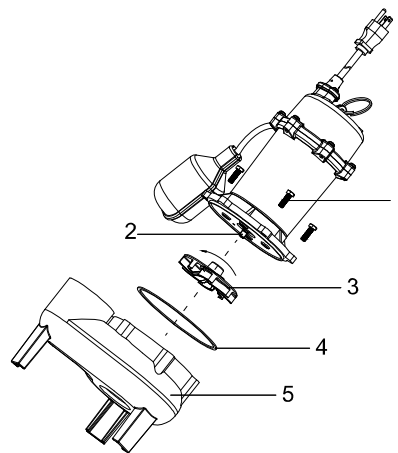
# CARE AND CLEANING

Risk of electric shock. Can shock, burn or kill. Do not lift the pump by the power cord.

- Before removing the pump from the basin for service, always disconnect electrical power to the pump and control switch.
- Submerge the pump in a disinfectant solution (bleach) for at least one hour before disassembling the pump.
- Unscrew the bolts (1), and remove the plate (2).
- Use a flathead screwdriver to hold the shaft, then turn the impeller (3) counter clockwise to release the impeller (3).
- Remove debris from around the shaft and on/under the impeller (3).
- Reassemble the pump.



- Before removing the pump from the basin for service, always disconnect electrical power to the pump and control switch.
- Submerge the pump in a disinfectant solution (bleach) for at least one hour before disassembling the pump.
- Unscrew the bolts (1), and remove the volute (5) and gasket (4).
- Use a flathead screwdriver to hold the shaft (2), then turn the impeller (3) counter clockwise to release the impeller (3).
- Remove debris from around the shaft (2) and on/under the impeller (3).
- Reassemble the pump.



# TROUBLESHOOTING

Do not disassemble the motor housing. This motor has NO repairable internal parts, and disassembly may cause an oil leak or dangerous electrical wiring issues. DO NOT lift up the pump by the power cord.

Problem	Solution
The pump fails to operate.	<ol style="list-style-type: none"> <li>1. Check to be sure that the power cord is securely plugged into an outlet. Disconnect power to the outlet before handling the pump or motor.</li> <li>2. Check to be sure you have electrical power.</li> <li>3. Check that liquid fluid levels are high enough to activate the switch or controller.</li> <li>4. Check to be sure that a 1/8 in. (3.2 mm) vent hole in the discharge pipe is not plugged.</li> <li>5. Check for blockage in the pump inlet, impeller, check valve or discharge pipe.</li> <li>6. Thermal overload may have tripped. Test start the pump. If it starts and then stops immediately, disconnect from the power source for 30 minutes to allow the motor to cool, then reconnect to the power source. Check for cause of overheating/overloading.</li> </ol>
The pump fails to empty sump.	<ol style="list-style-type: none"> <li>1. Be sure all valves in the discharge are fully open.</li> <li>2. Clean out the discharge pipe and check valves.</li> <li>3. Check for blockage in the pump inlet or impeller.</li> </ol>
The pump will not shut off.	<ol style="list-style-type: none"> <li>1. Check the switch or controller automatic floats for proper operation and location.</li> <li>2. If the pump is completely inoperative or continues to malfunction, call customer service.</li> </ol>

## K2 Pumps Limited Warranty

### WHAT THIS WARRANTY COVERS

This Limited Warranty is effective September 1, 2020 and replaces all undated warranties dated prior to September 1, 2020.

K2 Pumps (K2) warrants to the original consumer purchaser (You) that its products are free from original defects in material and workmanship for at least one year (warranty varies depending on model; see box or K2 website for specific warranty information) from the date of purchase (the Warranty Period). Repair Parts and Accessories are warranted for 90 days from the date of purchase. During the Warranty Period, K2 will repair or replace, at no cost to you, products that have been examined by K2 and found to be defective in materials or workmanship.

***Do not return product to the retail store.***

***For technical support and parts, call K2 Customer Service at 844-242-2475.***

### WHAT THIS WARRANTY DOES NOT COVER

This Warranty does not cover use of the product in a non-residential application, improper installation and/or maintenance of the product, damage due to misuse, acts of God, nature, vandalism or other acts beyond control of K2, owner's acts or omissions, use outside the country in which the product was initially purchased and resale of the product by the original owner. This warranty does not cover pick up, delivery, transportation or house calls.

However, if you mail your product to a K2 Sales and Service Center for warranty service, cost of shipping will be paid one way. This warranty does not apply to products purchased outside of the United States, including its territories and possessions, outside of U.S. Military Exchange and outside of Canada. This warranty does not cover products purchased from a party that is not an authorized retailer, dealer or distributor of K2 products.

### OTHER IMPORTANT TERMS

This warranty is not transferable and may not be assigned. This Warranty shall be governed and construed under laws of the state of Michigan. The Warranty Period will not be extended by any replacement or repair performed under this Warranty. THIS WARRANTY IS THE EXCLUSIVE WARRANTY AND REMEDY PROVIDED BY K2. ALL OTHER WARRANTIES, EXPRESSED OR IMPLIED, INCLUDING WARRANTIES OR MERCHANTABILITY OR FITNESS FOR PARTICULAR PURPOSE, ARE DISCLAIMED. IN NO EVENT WILL K2 BE LIABLE FOR ANY SPECIAL, INDIRECT, INCIDENTAL OR CONSEQUENTIAL DAMAGES OF ANY KIND OR NATURE TO OWNER OR ANY PARTY CLAIMING THROUGH OWNER WHETHER BASED IN CONTRACT, NEGLIGENCE, TORT, OR STRICT PRODUCTS LIABILITY OR ARISING FROM ANY CAUSE WHATSOEVER. Some states do not allow for the exclusion of consequential damages, so the above exclusion may not apply to you. This warranty gives you specific rights. You may also have other rights that vary from state to state.

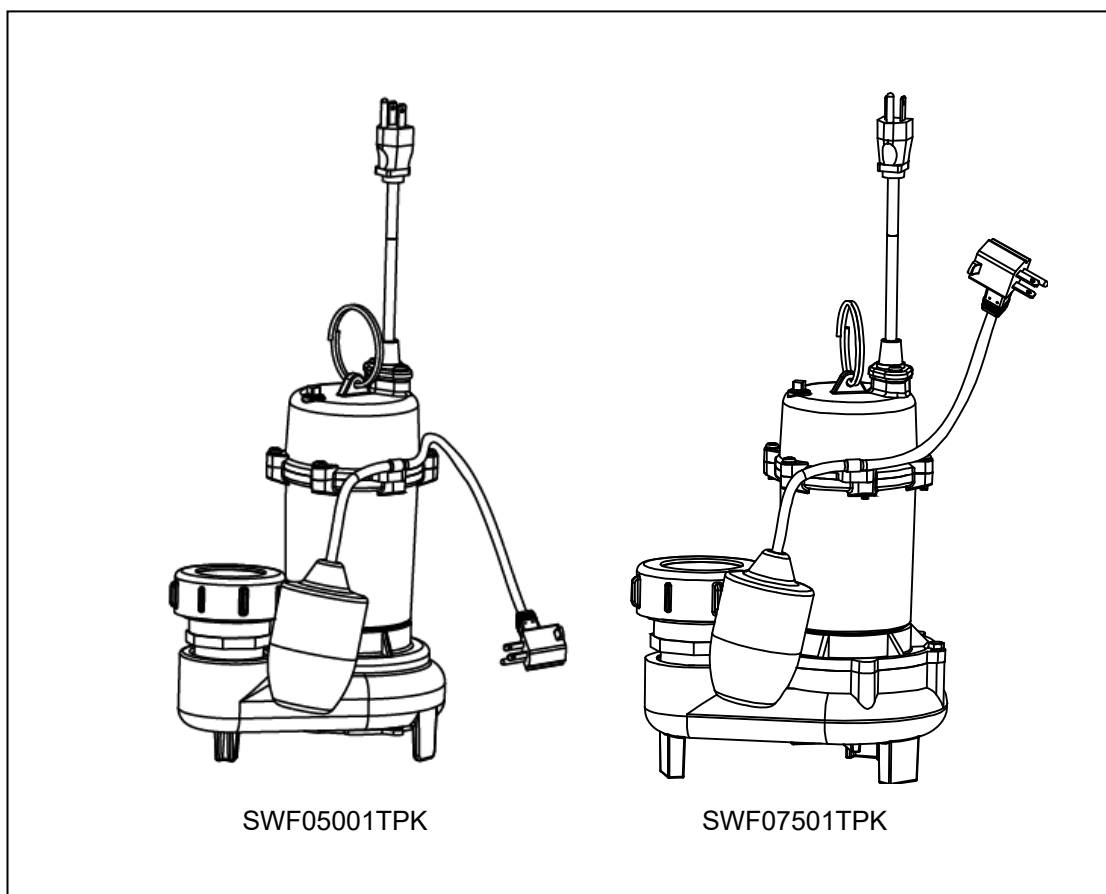
**GP Enterprises Co., Ltd. 1436 Brook Drive, Downers Grove, IL 60515**

**Phone: 844-242-2475 / Web: [www.K2Pumps.com](http://www.K2Pumps.com)**



# NOTICE D'UTILISATION

## POMPE À EFFLUENT AVEC INTERRUPTEUR À CORDON



Questions, problèmes, pièces manquantes? Avant de retourner au magasin, appelezle Service à la clientèle K2 du lundi au vendredi, de 8 h à 18 h, heure normale de l'Est

**1-844-242-2475**

[www.K2pumps.com](http://www.K2pumps.com)

## PERFORMANCE

Modèle	CV	Débit d'eau en gal/h selon la hauteur d'aspiration							Hauteur maximale
		0 pi.	5 pi.	10 pi.	15 pi.	20 pi.	25 pi.	30 pi.	
SWF05001TPK	1/2	4200	3780	3360	2820	2100	1260	0	30 pi.
SWF07501TPK	3/4	4500	3900	3360	2820	2300	1800	1200	40 pi.

## CONSIGNES DE SÉCURITÉ

1. Ne pas pomper de liquides inflammables ou explosifs comme de l'huile, de l'essence, du kérosène, de l'éthanol, etc. Ne pas utiliser dans des lieux qui contiennent des vapeurs inflammables ou explosives. Le fonctionnement de cette pompe avec ou près de liquides inflammables peut provoquer une explosion ou un incendie, entraînant des dommages matériels, des blessures graves ou même la mort.
2. TOUJOURS débrancher la pompe avant de procéder à l'entretien.
3. Ne pas toucher le boîtier du moteur lorsqu'il fonctionne. Le moteur est conçu pour fonctionner à des températures élevées. Ne pas démonter le boîtier du moteur.
4. Ne pas manipuler la pompe ni le moteur de la pompe lorsque vous avez les mains mouillées ou les pieds dans l'eau ou dans un endroit humide ou détrempe sans couper l'alimentation électrique.
5. Relâcher toute la pression restante et vider toute l'eau de l'appareil avant de procéder à l'entretien de la pompe.
6. Raccorder le conduit de vidange avant de démarrer la pompe. Un conduit de vidange non arrimé peut se libérer, et entraîner des blessures corporelles et / ou des dommages matériels.
7. Les rallonges électriques n'achèment pas toujours une tension suffisante au moteur de la pompe. Les rallonges électriques présentent un risque très grave pour la vie et la sécurité si l'isolant devient effiloché ou si l'extrémité devient mouillée. Il est interdit d'utiliser une rallonge électrique pour faire fonctionner cette pompe.
8. Toujours porter des lunettes de sécurité lorsque vous travaillez avec une pompe.
9. Cet appareil est conçu uniquement pour un courant de 115 V (monophasé, 60 Hz), et muni d'un cordon d'alimentation approuvé de 3 conducteurs avec mise à la terre. Ne pas retirer en aucun cas la broche de mise à la terre. La fiche à 3 broches doit être directement insérée dans une prise à trois trous de type mise à la terre. Ne pas brancher cette pompe sur une prise à 2 trous. Remplacer la prise à 2 trous par un disjoncteur de fuite à la terre (GFCI) installé conformément aux normes et règlements locaux. Tous les travaux électriques doivent être effectués par un électricien agréé.
10. Protéger le cordon d'alimentation de tout contact avec des objets tranchants, des surfaces chaudes, de l'huile ou des produits chimiques. Évitez le tortillement du cordon. Ne pas utiliser un cordon d'alimentation endommagé ou usé.
11. Le non-respect des consignes relatives au fonctionnement de cet appareil peut être cause d'annulation de la garantie. L'UTILISATION D'UNE POMPE ENDOMMAGÉE peut entraîner des dommages matériels, des blessures graves ou même la mort.
12. Assurez-vous que le circuit électrique de la pompe est protégé par un fusible ou disjoncteur de 15 ampères.
13. Ne pas utiliser le cordon d'alimentation pour soulever la pompe.
14. Bien connaître les différentes utilisations de la pompe, ses limites et les risques d'utilisation potentiels.
15. Placer la pompe sur une surface plane afin de la maintenir dans une position verticale. C'est essentiel pour assurer l'efficacité maximale de la pompe. Cela empêche également que des débris ne l'obstruent entraînant une panne prématurée de l'appareil.

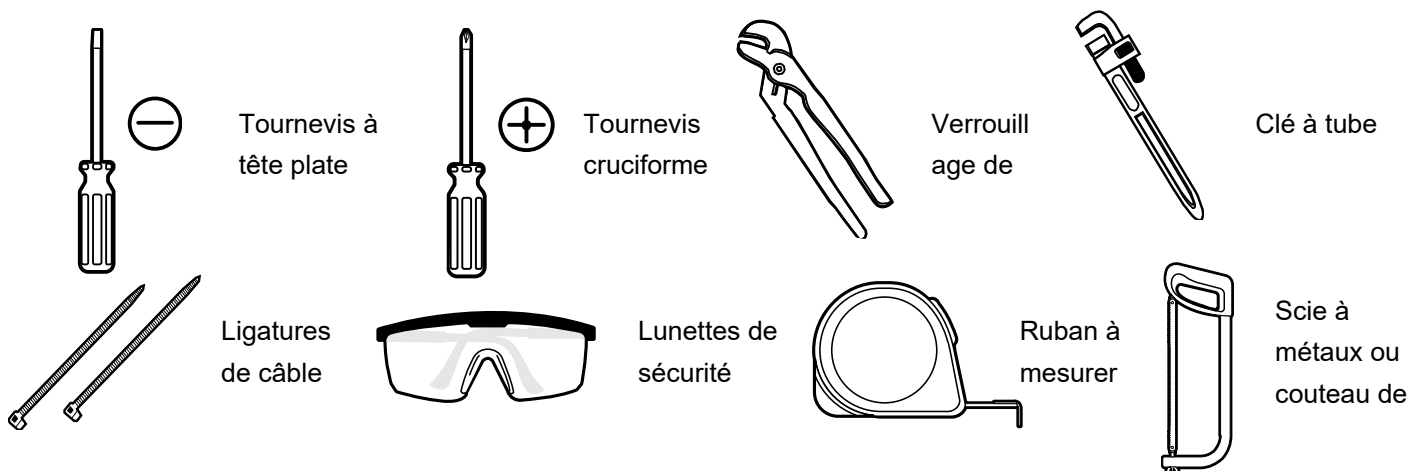
16. Inspecter régulièrement la pompe et les pièces de la pompe pour vérifier que la grille d'aspiration de la pompe est débarrassée de boue, de sable et de débris. Débrancher la pompe de la source d'alimentation avant de l'inspecter.
17. Respecter toutes les normes de sécurité et tous les codes électriques locaux.
18. Vérifier que la source d'alimentation électrique satisfait les exigences pour cette pompe..
19. Cette pompe est fabriquée de matériaux à haute résistance mécanique et résistant à la corrosion. La durée de vie de la pompe est prolongée lorsqu'elle est correctement installée, utilisée et entretenue. Cependant, une alimentation électrique insuffisante, des saletés ou des débris peuvent provoquer une panne de la pompe. Veuillez lire attentivement ce manuel et suivre les instructions relatives aux mesures correctives à prendre pour résoudre des problèmes communs
20. Le moteur de cette pompe est muni d'un protecteur thermique qui s'arrête si le moteur surchauffe. Le protecteur se réinitialise automatiquement une fois que le moteur est refroidi et qu'une température acceptable est atteinte. La pompe peut démarrer de manière inattendue si l'appareil est branché

## AVANT L'INSTALLATION

### UTILISATION

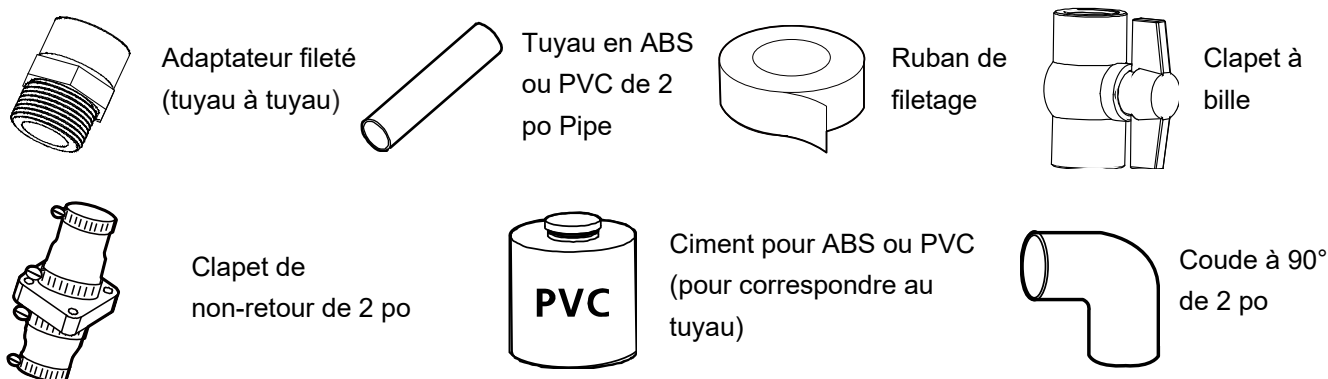
Cette unité est une pompe submersible et conçue pour le pompage des effluents, des eaux usées ou d'inondation jusqu'à 3/4 de pouces fermes. Elle est munie d'un dispositif de protection thermique et d'un dispositif de réarmement automatique. La pompe est équipée d'un cordon d'alimentation de mise à la terre à 3 broches de 25 pieds et d'un interrupteur à flotteur attaché. Cette pompe fonctionne automatiquement. Les roulements à billes que comportent les arbres de moteur ne nécessitent aucune lubrification.

### OUTILS REQUIS



### MATÉRIAUX REQUIS (NON INCLUS)

Les pièces ci-dessous ne sont pas représentées à l'échelle.



## CARACTÉRISTIQUES

Alimentation électrique	115V, 60 HZ., 15 ampères
Plage de températures du liquide	De 32°F à 131° F (de 0°C à 55°C)
Taille de l'entrée de la pompe	2 po. FNPT
Puisard	Minimum 18 po. (460 mm) de diamètre, 30 po. (760 mm) de profondeur
Interrupteur à Flotteur Marche Arrêt	Marche : 13,3 po. (338 mm), Arrêt: 5 po. (127 mm)

**AVIS:** Lire attentivement cette Notice d'utilisation pour l'installation, le fonctionnement et les consignes de sécurité.

## INSTALLATION

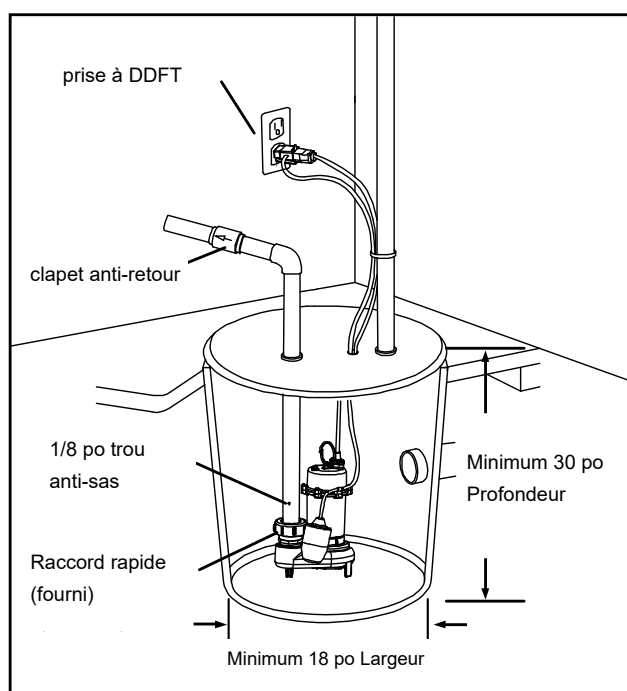
### INSTALLATION TYPIQUE DE VIDANGE (solides de 3/4 pouces ou moins)

Installer la pompe sur une surface plane et dure (ciment, asphalte, béton etc.). Ne jamais poser la pompe à même la terre, sur de l'argile ou du gravier.

1. Les tuyauteries doivent être d'au moins 3,8 cm (1-1/2 po) de diamètre pour évacuer le matériau que refoule la pompe. Vérifier les réglementations locales pour déterminer si votre système requiert un clapet de non-retour. Dans les régions aux basses températures, les clapets de non-retour ne sont pas utilisés pour empêcher l'effluent de geler dans la tuyauterie. Il est recommandé d'utiliser un clapet de non-retour dans un puisard
2. Utiliser un clapet de non-retour de 5,1 cm (2 po) dans le tuyau d'évacuation pour éviter que le liquide ne refoule dans le bassin du puisard. Le clapet de non-retour devrait constituer une valve à écoulement libre laissant passer les solides.

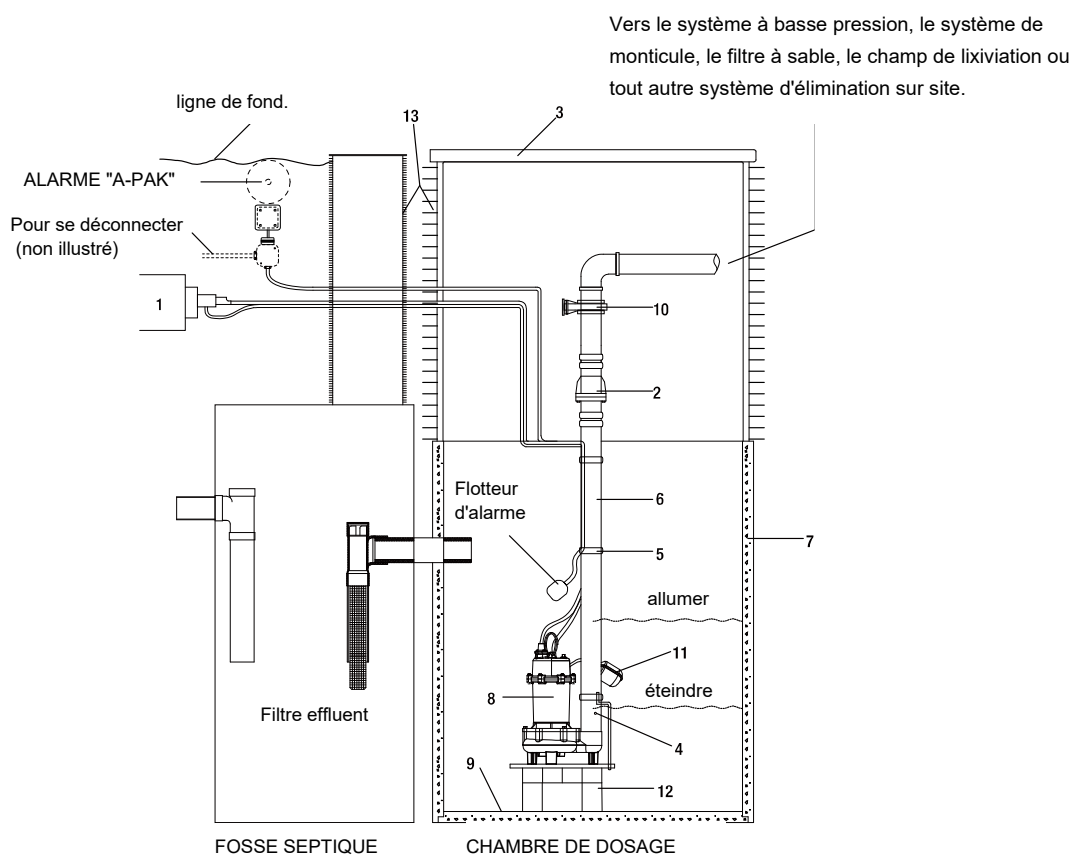
Pour optimiser le rendement du clapet de non-retour en présence de matières solides, assurez-vous que l'orifice de refoulement ne se trouve pas à un angle de plus de 45° par rapport à l'horizontale. N'installez pas le clapet de non-retour à la verticale afin d'éviter que des matières solides s'y accumulent et en empêchent l'ouverture au démarrage de la pompe.

3. Percez un trou de 3,2 mm (1/8") dans le tuyau de décharge à environ 2,5 - 5,1 cm (1"-2") au-dessus du connecteur rapide. Le trou doit être dans le puisard.



## INSTALLATION TYPIQUE DES EFFLUENTS

1. Le câblage électrique et la protection doivent être conformes au Code national de l'électricité et à toute autre exigence électrique nationale et locale en vigueur.
2. Installez un décrocheur approprié (raccord union et clapet anti-retour), de préférence juste au-dessus du bassin pour permettre un retrait facile de la pompe pour le nettoyage ou la réparation. Sur les effluents, si une installation à tête haute ou en dessous du couvercle est requise, utilisez un tuyau de 1-1/2 pouces minimum. Voir (4) ci-dessous.
3. Toutes les installations nécessitent un couvercle de bassin pour empêcher les débris de tomber dans le bassin et pour éviter les blessures accidentelles.
4. Lorsqu'un clapet anti-retour est installé, le jet d'eau sera visible depuis ce trou pendant les périodes de fonctionnement de la pompe.
5. Fixez ou attachez fermement le cordon d'alimentation au tuyau de décharge, à l'écart des mécanismes flottants.
6. Utilisez un tuyau d'évacuation pleine grandeur.
7. Le bassin doit être conforme aux codes et spécifications applicables.
8. La pompe doit être de niveau et le ou les mécanismes de flottement doivent être éloignés des côtés du bassin avant de démarrer la pompe.
9. Le bassin doit être propre et exempt de débris après l'installation.
10. L'installateur doit fournir le robinet-vanne ou le robinet à tournant sphérique et être installé conformément à tous les codes.
11. Assurez-vous que rien n'interfère avec le fonctionnement de l'interrupteur. Cette pompe est pré-assemblée avec un interrupteur à flotteur attaché, veuillez ne pas changer l'emplacement de l'interrupteur pré-assemblé.
12. Installez le support de pompe sous la pompe pour fournir un bassin de décantation.
13. Les colonnes montantes de la fosse septique doivent être utilisées pour faciliter l'accès à la pompe et au filtre.
14. Les pompes à double joint offrent une protection supplémentaire contre les dommages causés par une défaillance du joint.



Toutes les installations doivent être conformes à tous les codes électriques et de plomberie applicables, y compris, mais sans s'y limiter, le Code national de l'électricité, les codes de plomberie locaux, régionaux et / ou étatiques, etc.

## électricité

Risque de secousses électriques. Pouvant causer des brûlures, voire la mort. Lors de l'installation, du fonctionnement de la pompe ou lors d'une intervention sur la pompe, suivre scrupuleusement les instructions ci-dessous:

- 1 ° NE PAS épisser le cordon d'alimentation.
- 2 ° NE PAS immerger le connecteur du cordon d'alimentation.
- 3 ° NE PAS utiliser de rallonges. Elles constituent un danger d'incendie et peuvent réduire la tension de manière suffisante pour empêcher le pompage ou endommager la pompe.
- 4 ° NE PAS manipuler la pompe ou intervenir sur la pompe lorsqu'elle est branchée.
- 5 ° NE PAS retirer la broche de mise à la masse du connecteur ou modifier celui-ci. Pour assurer la protection contre l'électrocution, le cordon d'alimentation est un conducteur à trois fils et comporte un connecteur à trois broches avec prise de terre. Brancher la pompe dans une prise à 3 fils, raccordée à la masse. Connecter la pompe en accord avec les codes électriques en vigueur.

Pour le fonctionnement automatique, brancher le connecteur de la pompe ou brancher ses fils directement à un interrupteur automatique à flotteur ou à un boîtier de commande en pompe. La pompe fonctionnera de façon permanente lorsqu'elle sera reliée à une prise de courant. Brancher le connecteur ou directement les fils de la pompe sur circuit de dérivation individuel spécifique, libre de tout autre équipement ou prise de courant.

Sélectionner fusibles ou disjoncteur en fonction du tableau ci-dessous.

### Données sur les fusibles

CV	Tension	Circuit de dérivation individuel requis (en ampères)
1/2	115	15
3/4	115	15

## OPÉRATION

Évitez de manipuler cette pompe et d'en brancher ou d'en débrancher le cordon d'alimentation lorsque vous avez les mains mouillées ou que vous êtes dans l'eau, à moins de vous être assuré au préalable que le courant alimentant la pompe était coupé. Rappelez-vous que la pompe doit être branchée uniquement dans une prise convenablement mise à la terre et munie d'un disjoncteur de fuite à la terre.

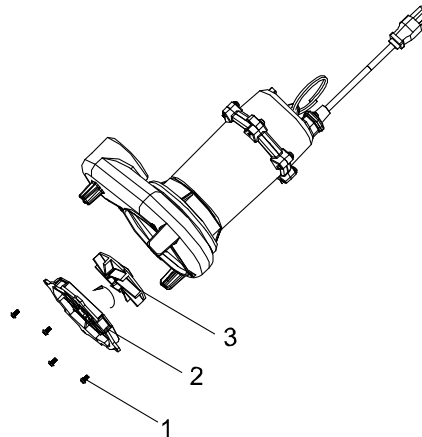
1. Assurez-vous que la pompe est immergée. La marche à sec de la pompe peut endommager le joint d'arbre.
2. Branchez le cordon de la pompe à la prise du câble à l'arrière de la poire de niveau. Branchez la pompe dans une prise de courant de 115 V munie d'un disjoncteur de fuite à la terre.
3. Après la mise sous tension de la pompe et périodiquement par la suite, testez la pompe:
  - a. Remplissez le bassin au-dessus de la hauteur de fonctionnement ON de la poire de niveau. La pompe doit commencer le pompage.
  - b. La pompe doit pomper l'eau jusqu'au dessous de sa hauteur de fonctionnement OFF de la poire de niveau et puis arrêter le pompage.
  - c. Si l'eau draine de nouveau dans le bassin et redémarre la pompe, assurez-vous que le clapet anti-retour est correctement installé et fonctionne. Assurez-vous également que tous les raccords de tuyauterie sont étanches.
4. Le moteur est muni d'un dispositif de protection thermique à réarmement automatique. Si le moteur surchauffe, le dispositif de protection thermique arrête la pompe pour éviter qu'elle s'endommage. Lorsque le moteur a suffisamment refroidi, le dispositif de protection thermique se réarme, et le moteur redémarre.

Si le dispositif de protection thermique arrête la pompe à plusieurs reprises, débranchez la pompe et tentez de déterminer la cause du problème. La surchauffe du moteur peut être attribuable à une tension trop basse, à l'utilisation d'une rallonge trop longue, au colmatage de la turbine, à la présence de débris dans le filtre ou à la température trop élevée de l'eau.

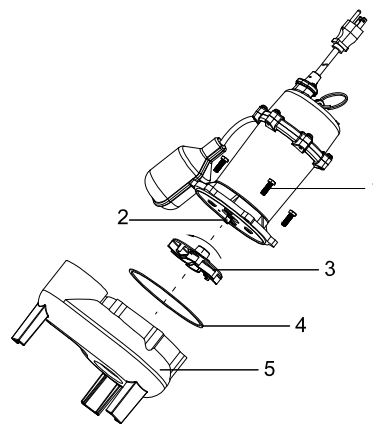
# Entretien

Risque de secousses électriques. Pouvant causer des brûlures, voire la mort. Ne pas lever la pompe par son cordon électrique.

- Avant de retirer la pompe du bassin pour le service, toujours couper l'alimentation électrique à la pompe et à l'interrupteur de commande.
- Immergez la pompe dans une solution désinfectante (eau de Javel) pendant au moins une heure avant de démonter la pompe.
- Dévissez les boulons (1) et retirez la plaque (2).
- Utilisez un tournevis à tête plate pour maintenir l'arbre, puis tournez la roue (3) dans le sens antihoraire pour libérer la roue (3).
- Retirez les débris autour de l'arbre et sur/sous l'impulseur (3).
- Rassemblez la pompe.



- Avant de retirer la pompe du bassin pour l'entretien, débranchez toujours l'alimentation électrique de la pompe et de l'interrupteur de commande.
- Immergez la pompe dans une solution désinfectante (eau de Javel) pendant au moins une heure avant de démonter la pompe.
- Dévissez les boulons (1) et retirez la volute (5) et le joint (4).
- Utilisez un tournevis à tête plate pour maintenir l'arbre (2), puis tournez la roue (3) dans le sens antihoraire pour libérer la roue (3).
- Retirez les débris autour de l'arbre (2) et sur / sous la roue (3).
- Remontez la pompe.



# Diagnostic des pannes

Ne démontez pas le boîtier du moteur. Le moteur ne comporte AUCUNE pièce interne réparable. Toute tentative de démontage du moteur peut entraîner une fuite d'huile ou des problèmes de câblage électrique. NE soulevez PAS la pompe par le cordon d'alimentation.

Problèmes	Mesures correctives à prendre
La pompe ne fonctionne pas	<ol style="list-style-type: none"> <li>1. Vérifier si le cordon est bien enfoncé dans la prise de courant. Déconnecter l'alimentation de la prise de courant avant de manipuler la pompe ou le moteur.</li> <li>2. Vérifier si la tension est bien présente.</li> <li>3. Vérifier si le niveau du liquide est suffisamment haut pour activer le contact ou la commande</li> <li>4. Vérifier si le trou de ventilation de 3,2 mm (1/8 émes de pouce) du tuyau d'évacuation n'est pas bouché.</li> <li>5. Vérifier un blocage de la crépine d'entrée, du roto, du clapet de non-retour ou du tuyau d'évacuation.</li> <li>6. Le disjoncteur de surcharge thermique a peut-être fonctionné. Vérifier le démarrage de la pompe : si la pompe démarre et s'arrête aussitôt, la déconnecter de la source d'alimentation pendant 30 minutes pour permettre au moteur de refroidir, puis rebrancher l'alimentation. Rechercher la cause de la surchauffe/de la surcharge.</li> </ol>
La pompe ne vide pas le puisard	<ol style="list-style-type: none"> <li>1. Vérifier si toutes les valves de la valve de refoulement sont complètement ouvertes.</li> <li>2. Nettoyer le tuyau d'évacuation et vérifier la valve.</li> <li>3. Vérifier si la crépine d'entrée ou le rotor ne sont pas bloqués.</li> </ol>
La pompe ne s'arrête pas de fonctionner	<ol style="list-style-type: none"> <li>1. Vérifier le fonctionnement et l'emplacement des contacts ou de la commande automatique du flotteur. Consulter les instructions d'installation pour le contact/la commande.</li> <li>2. Si la pompe est complètement hors fonctionnement ou continue à mal fonctionner, appeler le Service à la clientèle.</li> </ol>

## K2 Pumps Garantie Limitée

### CE QUE CETTE GARANTIE COUVRE

Cette garantie limitée entre en vigueur le 1er septembre 2020 et remplace toutes les garanties non datées antérieures au 1er septembre.

K2 Pumps (K2) garantit à l'acheteur original (Vous) que ses produits sont exempts de défauts de matériaux et de fabrication d'origine pendant au moins un an (la garantie varie en fonction du modèle; voir l'encadré ou le site Web K2 pour des informations de garantie spécifiques) à partir de la date d'achat (la période de garantie). Les pièces de réparation et les accessoires sont garantis pendant 90 jours à compter de la date d'achat. Pendant la période de garantie, K2 réparera ou remplacera, sans frais pour vous, les produits qui ont été examinés par K2 et jugés défectueux en matière de matériaux ou de fabrication.

***Ne reviennent pas au magasin.***

***Pour une assistance technique professionnelle, Service à la clientèle d'appel 844-242-2475.***

### CE QUE CETTE GARANTIE NE COUVRE PAS

Cette garantie ne couvre pas: L'utilisation du produit pour une application non-résidentielle, une mauvaise installation et / ou entretien du produit, les dommages dûs à une mauvaise utilisation, les actes de Dieu, les dégâts imputés à la nature ou d'autres actes qui échappent au contrôle d'K2, les actes ou omissions du propriétaire, l'utilisation à l'extérieur du pays où le produit a été initialement acheté et la revente du produit par le propriétaire initial. Cette garantie ne couvre pas la collecte, la livraison, le transport ou les déplacements chez les particuliers. Toutefois, si vous envoyez votre produit à un centre de service après-vente et des garanties K2, le coût de l'expédition (aller simple) sera remboursé. Cette garantie ne couvre pas les produits achetés en dehors des États-Unis, y compris ses territoires et possessions, en dehors des États-Unis la bourse d'échange militaire et à l'extérieur du Canada. Cette garantie ne couvre pas les produits achetés chez un tiers qui n'est pas détaillant, revendeur ou distributeur agréé des produits K2

### AUTRES TERMES IMPORTANTS

Cette garantie est non transférable et ne peut être cédée. Cette garantie doit être régie et interprétée en vertu des lois de l'État du Michigan. La période de garantie ne sera pas prolongée par un remplacement ou une réparation effectué(e) en vertu de cette garantie. CETTE GARANTIE EST LA GARANTIE EXCLUSIVE ET LE RECOURS FOURNIS PAR K2. TOUTE AUTRE GARANTIE, EXPLICITE OU IMPLICITE, Y COMPRIS LES GARANTIES DE COMMERCIALISATION OU D'ADAPTATION À UN USAGE PARTICULIER, SONT EXCLUES. EN AUCUN CAS K2 NE SERA RESPONSABLE DES DOMMAGES PARTICULIERS, INDIRECTS, ACCESSOIRES OU INDIRECTS DE QUELQUE NATURE QUE CE SOIT AU PROPRIÉTAIRE OU TOUTE PARTIE DEMANDERESSE PAR L'INTERMÉDIAIRE DU PROPRIÉTAIRE RELATIF À UN CONTRAT, UNE NÉGLIGENCE, UNE ACTION DELICTUELLE, OU UNE STRICT RESPONSABILITE VIS-À-VIS DU PRODUIT, OU PROVENANT DE TOUTE AUTRE CAUSE. Certains états ne permettent pas l'exclusion des dommages indirects et conséquemment l'exclusion ci-dessus peut ne pas vous concerner. Cette garantie vous donne des droits spécifiques. Vous pouvez également en avoir d'autres qui varient d'un état à l'autre.

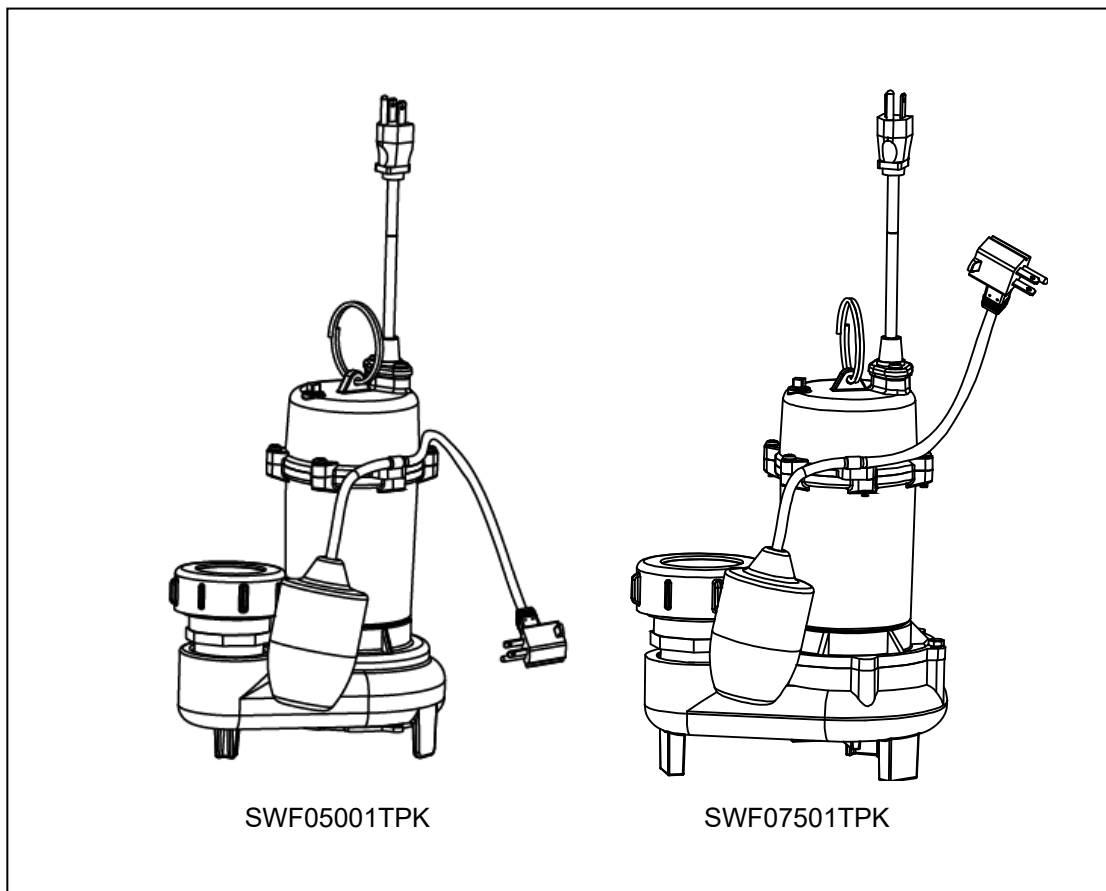
**GP Enterprises Co., Ltd. 1436 Brook Drive, Downers Grove, IL 60515**

**Téléphone: 844-242-2475 / Web: [www.K2Pumps.com](http://www.K2Pumps.com)**



# MANUAL DEL USUARIO

## BOMBA EFLUENTES CON INTERRUPTOR ANCLADO



¿Preguntas, problemas, piezas que faltan? Antes de devolverla a la tienda, llame a Servicio al Cliente de 8:00 am a 6:00 pm EST de Lunes a Viernes.

**1-844-242-2475**

[www.K2pumps.com](http://www.K2pumps.com)

# RENDIMIENTO

Modelo	HP	GPH (Galones por hora) de Agua @ Pies (Metros) de Altura							Máx. Levante
		0 pi.	5 pi.	10 pi.	15 pi.	20 pi.	25 pi.	30pi.	
SWF05001TPK	1/2	4200	3780	3360	2820	2100	1260	0	30 pi.
SWF07501TPK	3/4	4500	3900	3360	2820	2300	1800	1200	40 pi.

# INSTRUCCIONES DE SEGURIDAD

1. No bombee líquidos inflamables o explosivos como aceite, gasolina, queroseno, etc. No lo use cerca o en presencia de vapores inflamables o explosivos. El uso de este producto cerca o con líquidos inflamables puede causar una explosión o un incendio causando daños a su propiedad, lesiones personales, y/o muerte.
2. SIEMPRE desconecte la bomba antes de hacerle mantenimiento.
3. No toque el motor mientras esté funcionando. Este product está diseñado para funcionar a altas temperaturas. No desmonte motor ni el protector del motor
4. No use la bomba o el motor de la bomba con las manos mojadas, o cuando esté de pie sobre la superficie mojada o húmeda, o en agua.
5. Descargue toda presión y desagüe toda el agua del sistema antes del mantenimiento de cualquier componente.
6. Asegure el cable de descarga antes de empezar hacer funcionar la bomba. Un cable suelto o no asegurado puede arrebatare causando daño spersonales o daños a la propiedad.
7. Los cables de extensión no ofrecen suficiente voltaje al motor de la bomba. Los cables de extensión pueden presentar un peligro para la seguridad si el material de aislamiento se daña o si las puntas de conexión caen el agua. El uso de un cable extensión no está con esta bomba NO está permitida.
8. Use gafas de seguridad en todo momento que use la bomba.
9. Esta unidad está diseñada de un uso de 115 voltios (una sola fase), 60 Hz, y está equipada con un cable de 3 conductores y un enchufe de conexión de tierra (3 clavijas). NO QUITE EL ALFILER BAJO NINGUNA CIRCUNSTANCIA. El enchufe de conexión de tierra tiene que estar directamente y correctamente instalado en un receptáculo de conexión de tierra (3 clavijas). No use esta bomba en un receptáculo de 2 clavijas. Reemplacé el receptáculo de 2 clavijas con un receptáculo apropiado de 3 clavijas con conexión a tierra (GFCI) de acuerdo al Código Eléctrico Nacional y las ordenanzas locales. To dasla sconexiones de bense rhechas porun electricista profesional.
10. Proteja el cable eléctrico de objetos afilados, superficies calientes, aceite, y químicos. Evite enroscar los cables. No use cables dañados o desgastados.
11. El no cumplir con las instrucciones de la operación de esta unidad puede anular la garantía. EL INTENTO DE USAR UNA BOMBA DAÑADA puede resultar en daños a la propiedad, serios daños personales y/o muerte.
12. Asegúrese de que el circuito eléctrico a la bomba está protegido por una 15Amp, fuse o disyuntor.
13. No levante la bomba por medio del cable de alimentación.
14. Conozca de la bomba las aplicaciones, las limitaciones y los peligros potenciales.
15. Asegúrese de que la bomba esté en una base sólida para mantenerla vertical por encima de barro y tierra durante el funcionamiento para maximizar la eficiencia de la bomba y prevenir que se tape o una falla prematura.
16. Periódicamente inspeccione la bomba y los componentes del sistema para asegurar que las entradas estén libres de barro, arena y mugre. DESCONECTE DEL ENCHUFE LA BOMBA ANTES DE INSPECCIONARLA.

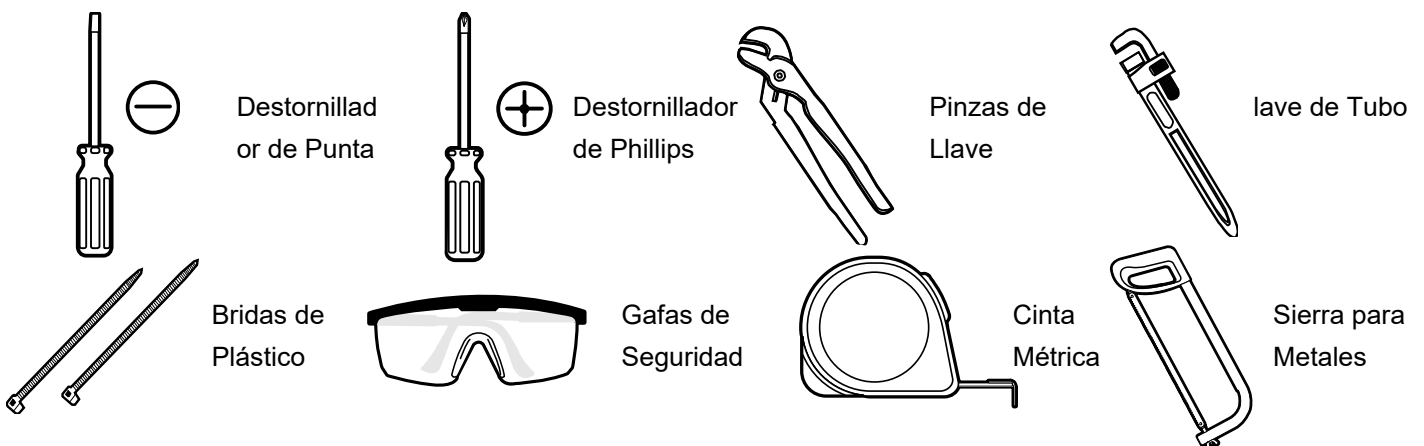
17. Siga sus códigos de seguridad eléctrica local, especialmente los del Código Eléctrico Nacional (NEC) y en el lugar de trabajo. El Acta de Seguridad y Salud Ocupacional. (OSHA).
18. Asegure que la fuente de electricidad es adecuada para los requisitos que exige la bomba.
19. Esta bomba está hecha de materiales de alta fuerza y resistentes a la corrosión. Cuando ha sido correctamente instalada no tendrá problemas de mantenimiento o de uso por mucho tiempo. Sin embargo, una conexión inadecuada de la bomba mugre o suciedad puede causar que la bomba falle. Lea cuidadosamente las instrucciones y sígalas con respecto a problemas y soluciones más comunes de la bomba.
20. El motor de la bomba tiene un protector térmico automático de reajuste que se apaga si la bomba se recalienta. Una vez que el protector térmico detecte que la bomba ha bajado de temperatura permitirá que la bomba funcione normalmente. Si la bomba está conectada puede empezar a funcionar inesperadamente.

## PRE-MONTAJE

### APLICACIÓN

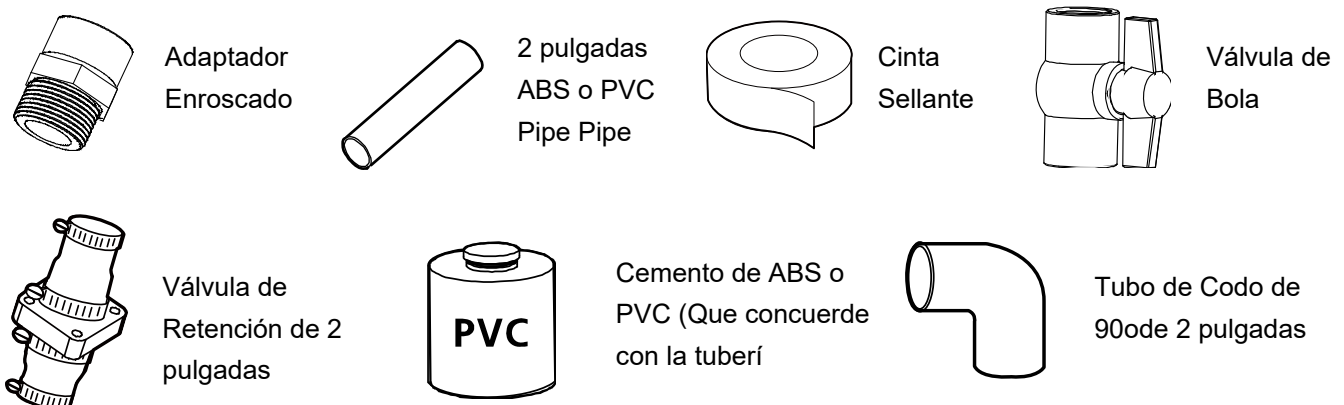
Esta bomba es la bomba sumergible de efluentes y diseñado para el bombeo, efluentes, aguas residuales o agua inundada con hasta 3/4 pulgadas sólidos. La bomba está construido con protección térmica de sobrecarga y reposición automática. La bomba está equipada con un cable de 25' de alimentación con conexión a tierra de 3 patas y el interruptor de flotador atado. Esta bomba funciona automáticamente. Rodamientos de bolas en los ejes del motor nunca necesitan lubricación

### HERRAMIENTAS NECESARIAS



### MATERIALES NECESARIOS (NO INCLUIDOS)

Manguera y equipo de manguera no están mostrados a escala.



## ESPECIFICACIONES

<b>Voltaje</b>	115V, 60 HZ., Circuito de 15 Amperios
<b>Rango de Temperatura de Líquido</b>	32 a 131°F (0 a 55°C)
<b>Descarga</b>	FNPT Hembra de 2 pulg
<b>Colector de fango</b>	Mínimo 18 pulg (460mm) de diámetro 30 pulg (760 mm) a fondo
<b>Interruptor de encendido/apagado</b>	Encendido: 13.3 pulg (338 mm), Apagado: 5 pulg (127 mm)

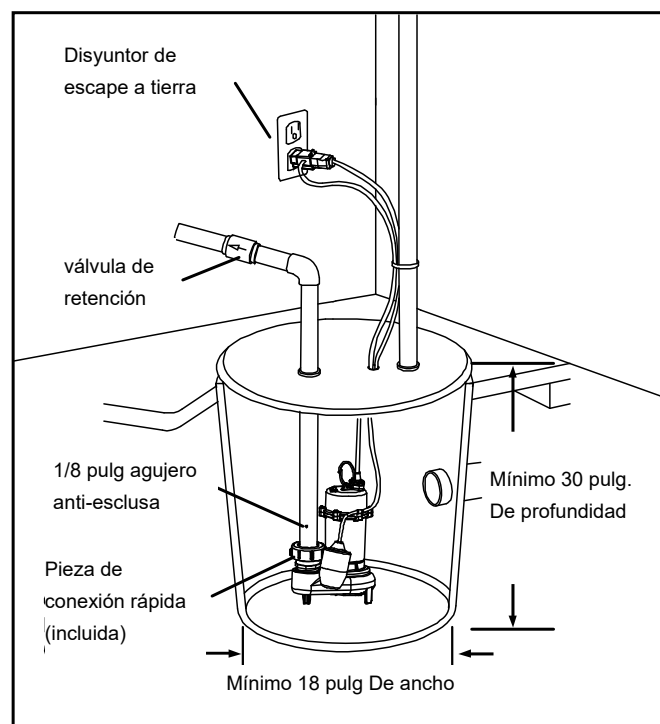
Lea este manual de instrucciones para la instalación, operación y seguridad.

## INSTALACIÓN

### INSTALACIÓN TÍPICA PARA ACHIQUE (Sólidos de 3/4 de pulgada o menos)

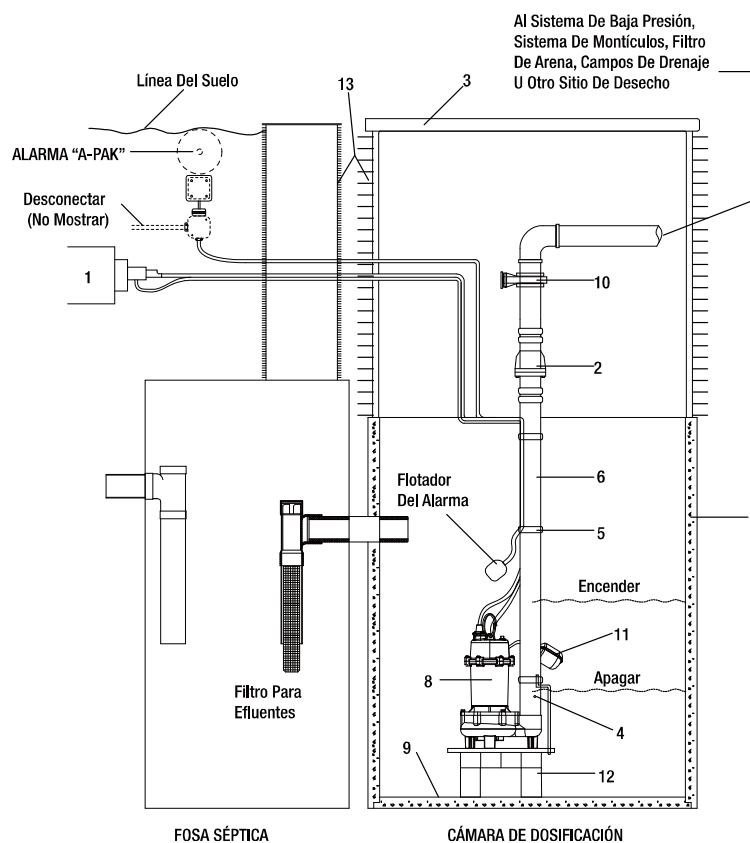
Instale la bomba sobre una superficie dura y nivelada (de cemento, asfalto, etc.) Jamás instale la bomba directamente sobre superficies de tierra, arcilla o grava.

1. La tubería debe medir un mínimo de 1 - 1/2 pulgadas para transportar el volumen de descarga de la bomba.  
Compruebe los códigos locales para determinar si su sistema requiere una válvula de retención. En climas fríos, las válvulas de retención no se utilizan para evitar la congelación del efluente en la tubería. Si utiliza una bomba de sumidero, se recomienda el uso de una válvula de retención.
2. Use una válvula de retención de charnela de 2 pulgadas en la descarga de la bomba para impedir el retorno del líquido al sumidero. La válvula de retención debe ser de flujo libre para permitir que los sólidos pasen con facilidad. Para un mejor funcionamiento de la válvula de retención cuando maneja sólidos, no la instale con la descarga a un ángulo superior a 45 grados sobre la horizontal. No instale la válvula de retención en posición vertical, ya que los sólidos pueden depositarse en la válvula e impedir su apertura en la puesta en marcha.
3. Perfore un orificio de 1/8" (3,2 mm) en una tubería de descarga de aproximadamente 1"-2" (2,5-5,1 cm) sobre el conector rápido. La perforación debe colocarse en la fosa.



# INSTALACIÓN TÍPICA PARA EFLUENTES

1. El cableado y la protección eléctrica deben estar de acuerdo con el Código Eléctrico Nacional y todos los otros requisitos eléctricos locales y estatales aplicables.
2. Instale el "Unicheck" (combinación de unión y válvula de retención) apropiado, luego arriba del estanque para que se pueda quitar fácilmente la bomba para su limpieza o reparación. Si los sistemas para, efluentes requieren instalación de carga elevada o por debajo de la tapa, use 1-1/2 plug. mínimo. Vea el número 4 más abajo.
3. Todas las instalaciones requieren una tapa para prevenir que escombros caigandentro del estanque y prevenir lesiones accidentales.
4. Cuando instale un "Unicheck", Perfore un orificio de 1/8" (3,2 mm) en una tubería de descarga de aproximadamente 1"-2" (2,5-5,1 cm) sobre el conector rápido. La perforación debe colocarse en la fosa. Se verá un chorro de agua saliendo del agujero durante los períodos de bombeo.
5. Fije firmemente el cable de alimentación eléctrica al tubo de descarga con cintao abrazadera.
6. Use tubería de descarga de tamaño completo.
7. El estanque debe estar de acuerdo con los códigos y las especificaciones aplicables.
8. La bomba debe estar nivelada y el mecanismo del flotador libre de los lados del estanque antes de encender la bomba.
9. El estanque debe estar limpio y libre de escombros después de la instalación.
- 10.El instalador deberá suministrar una válvula de paso directo o una válvula de bola y instalarla de acuerdo con cualesquiera y todos los códigos.
- 11.Asegúrese de que nada interfiera con el funcionamiento del interruptor. Esta bomba está preensamblada con un interruptor de flotador atado, por favor no cambie la ubicación del interruptor previamente montado.
12. Instale el soporte para bomba debajo de la bomba para proporcionar un sumidero de decantación
- 13.Se debe usar tubos verticales en el tanque séptico para tener fácil acceso a la bomba y al filtro.
- 14.Las bombas de sello doble ofrecen protección adicional contra los daños causados por falla del sello.



Todas las instalaciones deben cumplir con todos los códigos eléctricos y de instalación sanitaria aplicables, incluyendo, pero sin limitarse al Código Eléctrico Nacional, los códigos locales, regionales y/o los códigos estatales de instalación sanitaria, etc. No se debe usar las instalaciones en lugares peligrosos.

## Eléctrica

Riesgo de choque eléctrico. Puede provocar choque, quemadura o muerte. Al instalar, operar o prestar servicios a esta bomba, respete las instrucciones de seguridad enumeradas a continuación:

1. NO utilice cable con empalmes para la alimentación eléctrica.
2. NO permita que el enchufe del cordón electric quede sumergido.
3. NO use cables de prolongación. Presentan riesgo de incendio y pueden reducir el voltaje lo suficiente como para impedir el bombeo, dañar el motor o ambas cosas.
4. NO manipule o preste servicios a la bomba mientras esté conectada a la corriente eléctrica.
5. NO saque la clavija (ficha) de puesta a tierra ni modifique el enchufe. Para protección contra la descarga eléctrica el cable de alimentación está constituido por un conductor de tres alambres y termina en un enchufe de tres pernos con puesta a tierra. Enchufe la bomba en un receptáculo de toma de tres alambres del tipo de puesta a tierra, con la tierra conectada. Conecte la bomba respetando los códigos de electricidad que corresponda.

Para el funcionamiento automático, enchufe o conecte la bomba a un interruptor automático de flotante o a un controlador la bomba. Si la bomba se conecta directamente a una toma eléctrica, funcionará en forma continua. La bomba debe conectarse a su propio un ramal individual y no deben colocarse otras tomas o equipo en ese circuito. Los fusibles o disyuntores de circuito deben tener la capacidad que se indica en el cuadro que figura más abaj

### Información sobre fusibles

HP	Voltaje	Requiere un ramal individual (amperios)
1/2	115	15
3/4	115	15

## FUNCIONAMIENTO

No manejar esta bomba o conectar o desconectar esta bomba con las manos mojadas o mientras está de pie en el agua, a menos que esté seguro de todo el poder se ha apagado a la bomba. Recuerde que la bomba se debe conectar únicamente a una tierra adecuada, una toma GFCI.

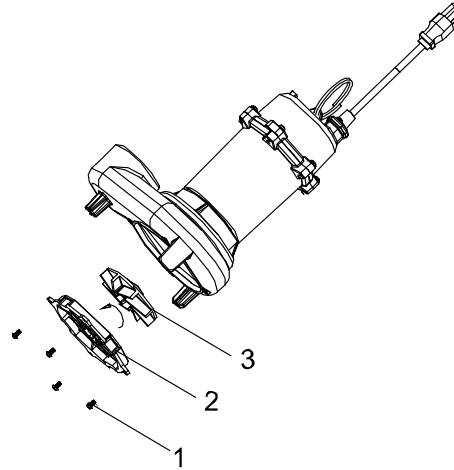
- 1 Asegúrese de que la bomba está sumergida en el agua. Corriendo la bomba en seco puede dañar el sello del eje.  
Corriendo la bomba en seco puede dañar el sello del eje.
- 2 Enchufe el cable de la bomba en la parte posterior del enchufe del cable del interruptor de flotador. Enchufe el cable del interruptor de flotador en una toma de corriente de 115V GFCI.
- 3 Después de conectar la energía a la bomba y periódicamente después, probar la bomba:
  - a) Llenar la cuenca por encima de la operación del interruptor de flotador en la altura. La bomba debe comenzar el bombeo.
  - b) La bomba debe bombear el agua por debajo de su interruptor de flotador altura OFF operación y luego se detiene el bombeo.
  - c) Si el agua drena de nuevo en la cuenca y se reinicia la bomba, asegúrese de que la válvula de retención está correctamente instalado y funcionando. También asegúrese de que todas las conexiones de tuberías estén apretadas.
4. El motor está equipado con un protector térmico de sobrecarga Reiniciando automáticamente. Si el motor llega a caliente, el protector de sobrecarga se apaga la bomba antes de que se dañe. Cuando el motor se haya enfriado lo suficiente, el protector de sobrecarga Reste, y el motor se reiniciará.

Si el protector de sobrecarga detiene la bomba varias veces la potencia de la bomba y comprobar para encontrar el problema. Bajo voltaje, una cuerda larga extensión, impulsor obstruido, pantalla bloqueada por los escombros, o agua que está demasiado caliente puede causar sobrecalentamiento del motor.

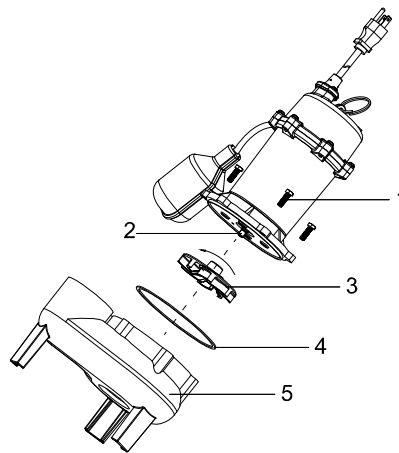
## CUIDADO Y LIMPIEZA

Riesgo de descarga eléctrica. Puede lastimar, quemar o matar. No levante la bomba por el cable de alimentación.

- Antes de retirar la bomba de cuenca para el servicio, Siempre desconecte la alimentación eléctrica a la bomba y el interruptor de control.
- Sumergir la bomba en una solución desinfectante (blanqueador) durante al menos una hora antes de desmontar la bomba.
- Desatornille los tornillos (1) y quite la placa (2).
- Utilice un destornillador de cabeza plana para sostener el eje, luego gire el impulsor (3) en sentido contrario a las agujas del reloj para desengancharlo.
- Retire los residuos de todo el eje y sobre / debajo del impulsor (3).
- Volver a montar la bomba.



- Antes de retirar la bomba de cuenca para el servicio, Siempre desconecte la alimentación eléctrica a la bomba y el interruptor de control
- Sumergir la bomba en una solución desinfectante (blanqueador) durante al menos una hora antes de desmontar la bomba.
- Desenroscar los tornillos (1), eliminar la voluta (5) y empaque (4).
- Utilice un destornillador plano para sujetar el eje (2), gire el impulsor (3) hacia la izquierda para liberar el impulsor (3).
- Eliminar los restos de todo el eje (2) y sobre/debajo del impulsor (3).
- Vuelva a montar la bomba.



## RESOLUCIÓN DE PROBLEMAS

No desensamble la cubierta del motor. Este motor NO tiene piezas internas reparables y desensamblarlo puede provocar un escape de aceite o problemas con el cableado eléctrico que pueden ser peligrosos. NO levante la bomba desde el cable de alimentación.

Problema	Solución
La bomba no funciona:	<ol style="list-style-type: none"> <li>1. Verifique que el cable de alimentación esté enchufado correctamente en el receptáculo. Antes de manipular la bomba o el motor, desconecte la energía eléctrica.</li> <li>2. Asegúrese de que haya corriente eléctrica.</li> <li>3. Verifique que el nivel de líquido sea lo suficientemente elevado para activar el interruptor o el control.</li> <li>4. Verifique que el agujero de 1/8 pulgadas (3,2 mm) en el caño de descarga no esté tapado.</li> <li>5. Verifique que la entrada de la bomba, el rodete, la válvula de retención o el caño de descarga no estén bloqueados.</li> <li>6. Es posible que the protector térmico de sobrecarga haya accionado. Haga arrancar la bomba; si arranca y se detiene de inmediato desconecte la bomba de la corriente eléctrica por 30 minutos para permitir que el motor se enfríe; luego vuelva a conectarla a la corriente eléctrica. Investigue la causa del sobrecalentamiento o sobrecarga.</li> </ol>
La bomba no vacía el sumidero	<ol style="list-style-type: none"> <li>1. Asegúrese de que todas las válvulas en la tubería de descarga estén totalmente abiertas.</li> <li>2. Limpie el caño de descarga y verifique la válvula.</li> <li>3. Verifique que la entrada de la bomba o el rodete no estén bloqueados</li> </ol>
La bomba no se apaga	<ol style="list-style-type: none"> <li>1. Verifique que los flotantes del interruptor o el control automático funcionen correctamente y tengan la ubicación adecuada. Consulte las instrucciones de instalación del interruptor o control automático.</li> <li>2. Si la bomba no funciona en absoluto o continúa funcionando con fallas, llame a línea de atención</li> </ol>

## K2 Pumps Garantía Limitada

### LO QUE CUBRE ESTA GARANTÍA

Esta Garantía Limitada entra en vigor a partir del 1 de septiembre de 2020 y reemplaza todas las garantías sin fecha y aquellas con fechas anteriores al 1 de septiembre de 2020.

K2 Pumps (K2) le garantiza al comprador original (Usted) que sus productos no tendrán defectos de origen en términos de materiales y fabricación durante un año como mínimo (la garantía varía en función del modelo; consultar la caja o el sitio web de K2 para obtener información específica sobre la garantía) a partir de la fecha de la compra (el Plazo de la Garantía). Las partes de repuesto y los accesorios tienen una garantía de 90 días a partir de la fecha de la compra. Durante el Plazo de la Garantía, K2 reparará o reemplazará, sin costo para usted, los productos que K2 haya examinado y determinado como defectuosas en términos de materiales o fabricación.

**No vuelve al almacén.**

**Para comunicarse a Soporte técnico profesional, Servicio de atención al cliente de la llamada 844-242-2475**

### LO QUE NO CUBRE ESTA GARANTÍA

Esta garantía no cubre: El uso del producto en un ambiente no residencial, instalación incorrecta y/o mantenimiento incorrecto del producto, daño a causa del uso indebido, actos sobrenaturales, actos de la naturaleza, vandalismo u otros actos fuera del control de K2, acciones u omisiones del propietario, el uso fuera del país en el que el producto fue comprado inicialmente y la reventa del producto por el propietario inicial. Esta garantía no cubre el recogido, el envío, la transportación o las reparaciones en casa. Sin embargo, si usted manda su producto por correo al departamento de ventas y servicios de K2 para servicios que cubre la garantía, el costo del envío será pagado únicamente de ida. Esta garantía no se aplica a productos comprados fuera de los Estados Unidos, incluyendo sus territorios y posesiones, fuera del Intercambio Militar de los Estados Unidos y fuera de Canadá. Esta garantía no cubre productos comprados por distribuidor, comerciante o concesionario no autorizado por K2.

### OTROS TÉRMINOS IMPORTANTES

Esta garantía no es transferible ni podrá ser asignada. Esta garantía será gobernada e interpretada bajo las leyes del estado de Michigan. El Periodo de Garantía no será extendido por ningún reemplazo ni reparación realizado bajo esta garantía. ESTA GARANTÍA ES LA GARANTÍA Y RECURSO PROVISTO POR K2. TODAS LAS DEMÁS GARANTÍAS, EXPLÍCITAS O IMPLÍCITAS, INCLUYENDO GARANTÍAS O COMERCIABILIDAD O QUE SEA ACOPLADA PARA ALGÚN PROPOSITO EN PARTICULAR, SON DENEGADAS. EN NINGÚN CASO K2 SERÁ RESPONSABLE POR CUALQUIER DAÑO ESPECIAL, INDIRECTO, INCIDENTAL O CONSECUENTE DE CUALQUIER TIPO O ÍNDOLE AL PROPIETARIO O CUALQUIER INDIVIDUO HACIENDO LA RECLAMACION POR EL PROPIETARIO YA SEA BASADO EN CONTRATO, NEGLIGENCIA, AGRAVIO O ESTRUCTA RESPONSABILIDAD DEL PRODUCTO O QUE SE DERIVE DE ALGUN OTRO TIPO DE CAUSA. Algunos estados no permiten la exclusión de daños consecuentes. Así que la exclusión antes mencionada podría no ser aplicable a usted. Esta garantía le ofrece derechos **específicos**. Usted también podría tener otros que varíen de estado a estado.

**GP Enterprises Co., Ltd. 1436 Brook Drive, Downers Grove, IL 60515**

**Teléfono: 844-242-2475 / Web: [www.K2Pumps.com](http://www.K2Pumps.com)**